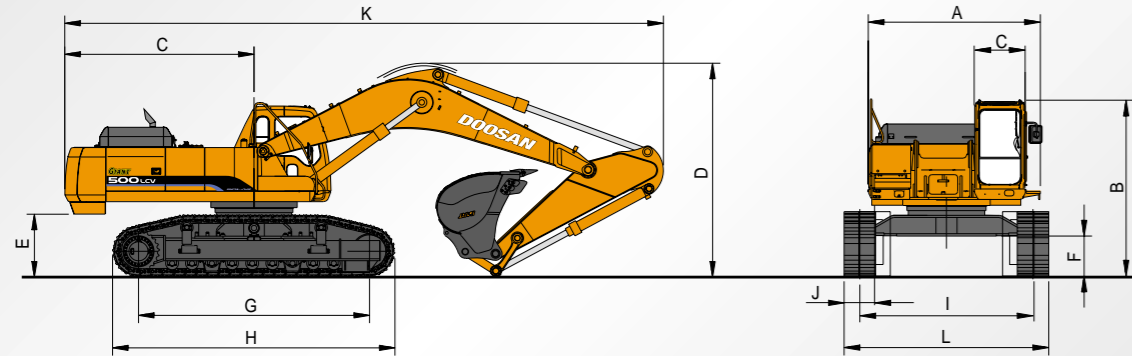


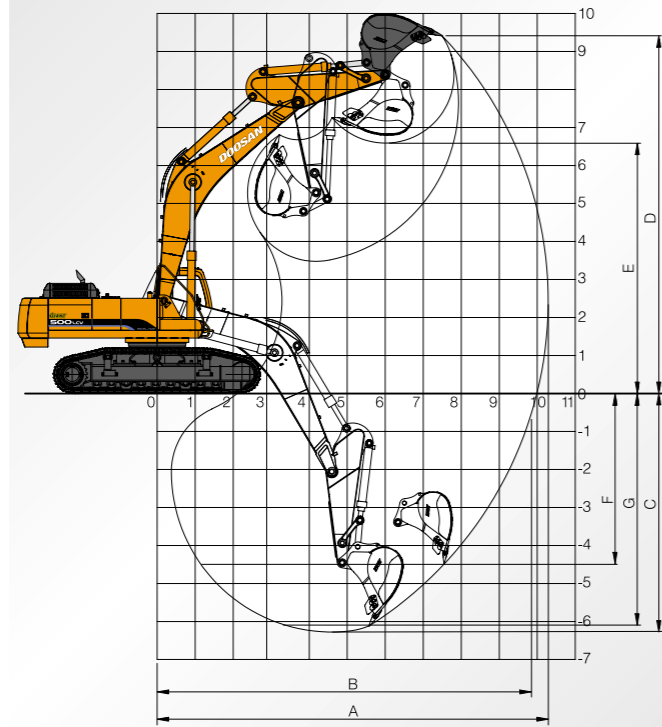
Dimensions (6.3m(20' 8") Boom, 2.4m(7' 10") Arm, 600mm(24") Shoe)



S500LC-V Giant

A Overall width of upper structure/with cat walk	2,990mm(9'10")/3,278mm(10'9")
B Overall height of cab	3,350mm(11')
C Tail swing radius	3,665mm(12')
D Overall height(2.4m arm/2.9m arm)	4,140mm(13'7")/4,250mm(13'11")
E Clearance under counterweight	1,220mm(4')
F Ground clearance	760mm(2'6")
G Tumbler distance	4,470mm(14'8")
H Track length	5,465mm(17'11")
I Track gauge (Extend/Retract)	3,300mm(10'10")/2,740mm(8'12")
J Track shoe width	600mm(24")
K Overall length(2.4m arm/2.9m arm)	11,590mm(38')/11,390mm(37'4")
L Overall track width with 600mm(24") shoe	3,900mm(12'9")/3,340mm(10'11")

Working ranges



Digging forces(Maximum radial tooth forces)

	2.4m (7' 10") Arm	2.9m (9' 6") Arm
Bucket digging force *	27,300 kgf 268 KN 60,200 lbf	27,500 kgf 270 KN 60,600 lbf
Arm digging force *	29,400 kgf 288 KN 64,800 lbf	25,400 kgf 249 KN 56,000 lbf

*At power boost

Boom length	6.3m (20'8")	
	2.4m (7'10")	2.9m (9'6")
A. Max. digging reach	10,290mm (33' 9")	10,720mm (35'2")
B. Max. digging reach at ground level	9,990mm (32' 9")	10,430mm (34'3")
C. Max. digging depth	6,280mm (26' 7")	6,780mm (22'3")
D. Max. digging height	9,410mm (30' 10")	9,540mm (31'4")
E. Max. dumping height	6,590mm (21' 7")	6,680mm (21'11")
F. Max. vertical wall digging depth	521mm (1' 9")	1,090mm (3'7")
G. Max. digging depth (8' level)	6,050mm (21' 7")	6,570mm (21' 7")



Seoul Office :

Doosan Tower 27th FL. 18-12, Euljiro-6Ga,
Jung-Gu, Seoul, Korea 100-730
Tel : +82-2-3398-8114
Fax : +82-2-3398-8117
www.doosaninfracore.com

Doosan Infracore Europe S.A.

1A, Rue Achille Degrâce, 7080 Frameries, Belgium
Tel : +32-65-61-3230 Fax : +32-65-67-7338

Doosan Infracore U.K., Ltd.

Doosan House, Unit 6, 3 Heol Y Gamlas, Parc Nantgarw, Nantgarw,
Cardiff. CF15 7QU, U.K.
Tel : +44-1443-84-2273 Fax : +44-1443-84-1933

Doosan Infracore Europe S.A. Germany

Heinrich-von-Stephan str. 2 40764 Langenfeld, Germany
Tel : +49-2173-2035-210 Fax : +49-2173-2035-219

Doosan Infracore France

ZAC de La Clef Saint Pierre - Buroplus 2 1A Avenue Jean d'Alembert
78990 Elancourt, France
Tel : +33-(0)1-30-16-21-41 Fax : +33-(0)1-30-16-21-44

Doosan Infracore America Corporation

2905 Shawnee Industrial Way, Suwanee, Georgia 30024, U. S. A
Tel : +1-770-831-2200 Fax : +1-770-831-0480

Doosan Infracore China Co., Ltd.

#28, Wuzhishan Road, Eco. & Tech, Development Zone, Yantai, Shandong, China
Tel : +86-535-638-2000 Fax : +86-535-638-2004

Doosan Infracore South Africa (PTY) LTD.

60C Electron Road, Isando 1600, Johannesburg, South Africa
Tel : 27-11-974-2095 Fax : 27-11-974-2778

Doosan Infracore Middle East Center (Dubai)

P.O.Box 183127, Al-Serkal Building, Air Port Road, Dubai, U.A.E
Tel : +971-4-295-2781-2 Fax : +971-4-295-2783

Doosan Infracore Latinamerica oficina (Colombia)

Dia gonal 127 A No. 17-14, oficina 302 Bogota, Colombia
Tel : +571-216-1655 Fax : +571-648-7700

PBP S500C500 0703

The illustrations do not necessary show the product in standard version.
All products and equipments are not available in all markets.
Materials and specifications are subjects to change without prior notice.



SOLAR500LCV

Engine Power : DIN 6271,net 232kw(316ps)@2,000 rpm
SAE J1349,net 232kw(312HP)@2,000 rpm

Operational Weight : 49,900kg (110,000 lb)

Bucket capacity(PCSA) : 2.01 ~ 3.6m³(2.63 ~ 4.71 cu.yd)

Width for 3.2m³(PCSA) With Cutter : 2,101mm (6'11")

Without Cutter : 2,024mm (6'8")

Width for 3.6m³(PCSA) With Cutter : 2,306mm (7'7")

Without Cutter : 2,229mm (7'4")



